



grand Starex Royale



Check out the new Hyundai TVC.
Just scan the QR code with your smartphone.

NEW THINKING. NEW POSSIBILITIES.

People's expectation toward individual mobility requires more than just a convenient means of transportation. The old understanding of cars has become outdated. A car represents individuals' lifestyles, and it became an integral part of their lives. At the same time, the automobile industry has experienced seismic change. Hyundai Motor Company has grown rapidly to become one of the largest automakers, backed by world class production capability and superior quality. We have now reached a point where we need a qualitative approach to bring bigger ideas and relevant solutions to our customers. This is an opportunity to move forward and we have developed a new brand slogan that encapsulates our willingness to take a big leap. Led by our new slogan and the new thinking underlying it, we will become a company that keeps challenging itself to unlock new possibilities for people and the planet.

Customer Careline / 24-7 Roadside Assist

1300-13-2000

Hyundai - Sime Darby Motors
www.hyundai.com.my



TD-1132/P

AFTER YOU...

Step into a unique experience - The Hyundai Grand Starex Royale. Let the first class journey begin.



JUST WHEN YOU THINK IT'S NOT GOING TO GET ANY BETTER...

Immerse in the luxurious grandeur of the new 2011 Grand Starex Royale. Loaded with 11 new features, the Grand Starex Royale's new stylish look, improved practicality, enhanced convenience and safety will make every drive a pleasure.



BUILT-IN GPS

Seamlessly incorporated into the centre console for ease of use. The touch screen navigation is also your entertainment centre and reverse camera screen.

...The 11 seater Grand Starex Royale gives you another 11 new features



NEW SIDE SKIRTING

Designed to serve aerodynamic purpose, it also accentuates the sporty frame of the Grand Starex Royale and make it look slimmer and sleeker.



NEW REAR BUMPER

Flamboyant and elegant, the re-designed new rear bumper which houses the reverse sensors gives it a truly distinct personality when viewed from the back.



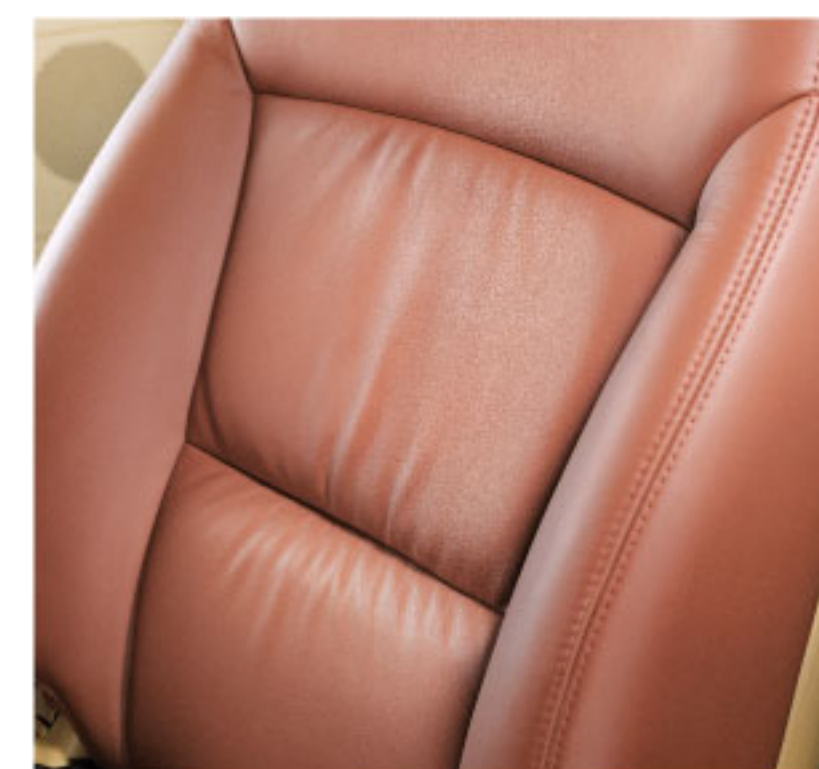
AUTOMATIC SLIDING DOOR*

At a push of a button, the left sliding door automatically opens and closes smoothly. It even comes with a safety sensor that will detect any obstacles and stop closing immediately.



SWIVEL SEATS

Passengers in the 2nd row seats are accorded with the easily adjustable 180 degrees swivel seats, designed to make the journey a sociable affair.



NAPPA LEATHER*

With its fine quality and durability, the Nappa leather seats bring car interior luxury & comfort to the next level.



NEW RIMS

The Grand Starex Royale is fitted with tastefully designed new alloy rims, that will give an air of sportiness.



ESP

ESP provides greater driving stability when driving through curves or on slippery road surfaces.



NEW FRONT GRILLE & BUMPER

Stylish and dynamic, the new front grille gives the Grand Starex Royale bold, aggressive aura while the sleek bumper proudly display its striking appearance.



NEW SPOILER

The new spoiler stabilises and boost aerodynamics of the Grand Starex Royale. It also comes with 3rd brake light which increases safety with its extra visibility.



DRL ON WING MIRRORS

First of its kind, Daytime Running Lights are built into the side mirrors which also double up as signal lights, a good example of New Thinking, New Possibilities.

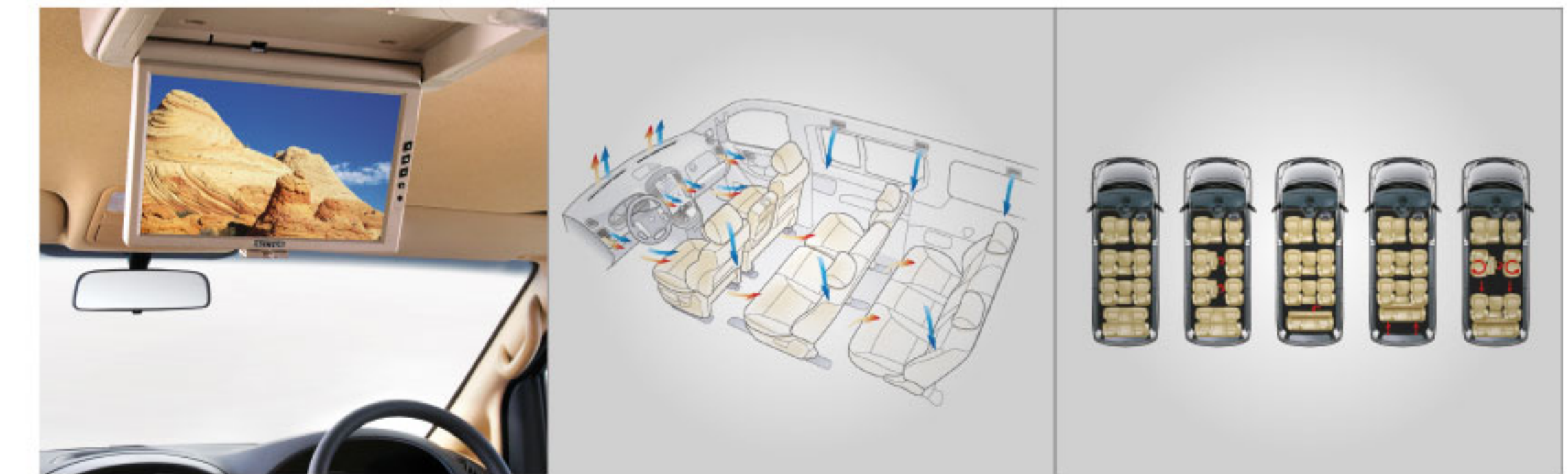
*Applicable for premium package only.
Pictures are for illustration purposes only. Actual unit may differ.

*Applicable for premium package only.
Pictures are for illustration purposes only. Actual unit may differ.



FROM DRIVER TO PASSENGERS...

You are the captain, the cockpit is designed for you to take full control, while the interior is designed for the passengers to travel in first class comfort.



DVD PLAYER WITH 7" LCD SCREEN

Journeys are far from boring in the Grand Starex Royale; passengers can choose to watch their favourite DVD movies and shows via a clear 7-inch LCD screen.

6 CEILING AIR VENTS

Bear the tropical heat with six large and efficient ceiling mounted air condition vents, ensuring all 11 occupants are comfortably cooled throughout the journey.

ADJUSTABLE SEAT FORMATION

Easily adjusted according to your needs, the seats in the Grand Starex Royale could be configured in multiple ways so that it could accommodate any occasions and needs.



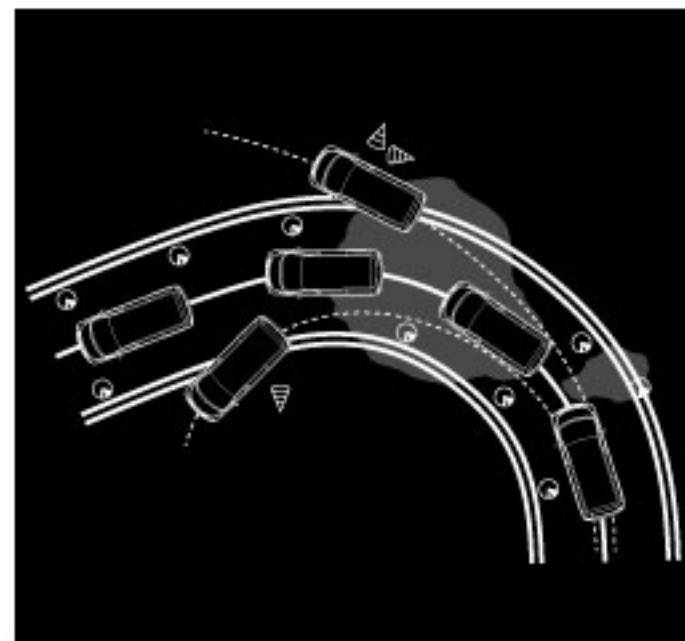
KEEPING WHAT'S IMPORTANT SECURE

There's nothing more precious in the Grand Starex Royale than the lives of its passengers. That is why the Grand Starex Royale is built with safety as priority; both active and passive features are engineered to give driver and passengers a clear peace of mind.

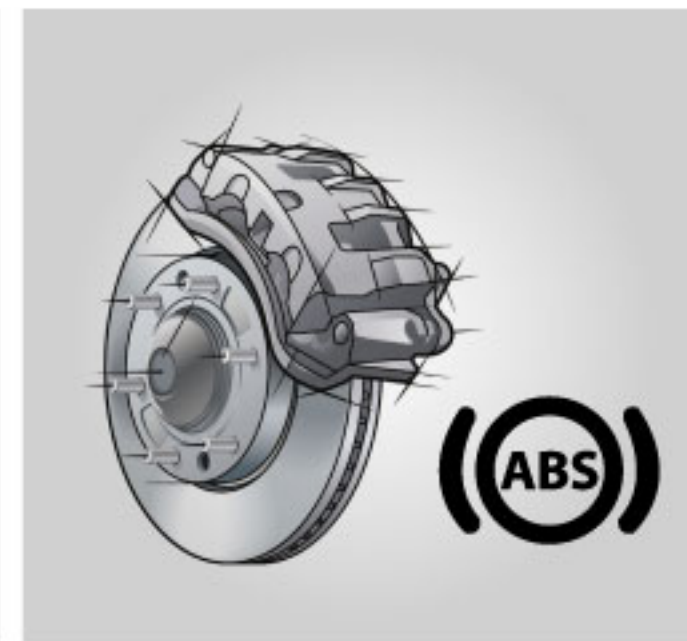


A GRAND PERFORMANCE

With an impressively powerful yet fuel-efficient engine, the Grand Starex Royale smoothly delivers optimum control for easy handling.



ESP (ELECTRONIC STABILITY PROGRAM)
The vehicle's powerful braking control by re-stabilising the car at the slightest detection of skidding or sudden braking. This feat of engineering is achieved by controlling the engine torque and applying optimum brake force.



RELIABLE BRAKING SYSTEM
The vehicle's powerful braking system with ABS allows the Grand Starex Royale to slow down quickly, safely and in straight line, even on slippery roads.



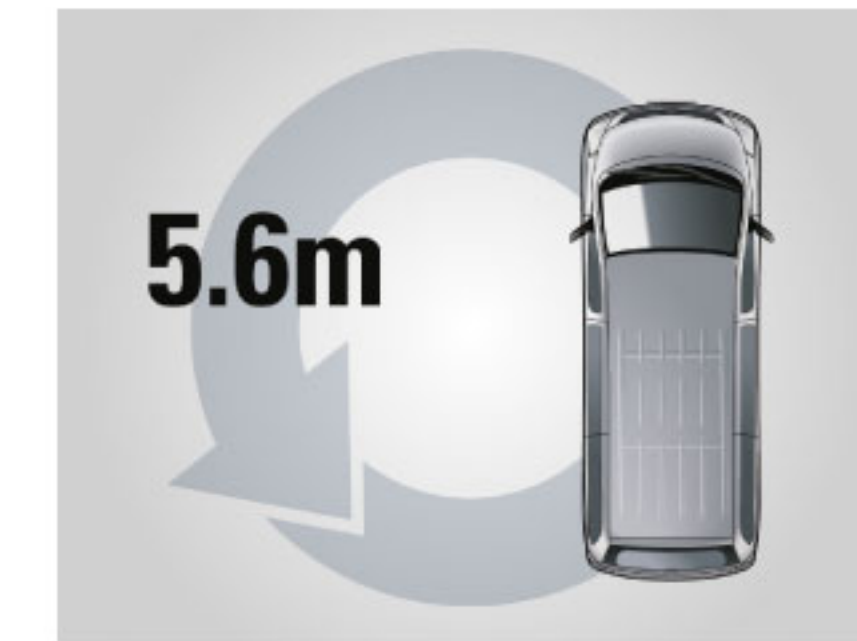
REVERSE CAMERA
With a rearview camera that shows you precisely how much space you have to reverse, reversing the Grand Starex Royale is just so easy.



DUAL AIRBAGS
In the situation of an impact, the Grand Starex Royale provides dual airbags for the driver and front passenger, minimising injury.



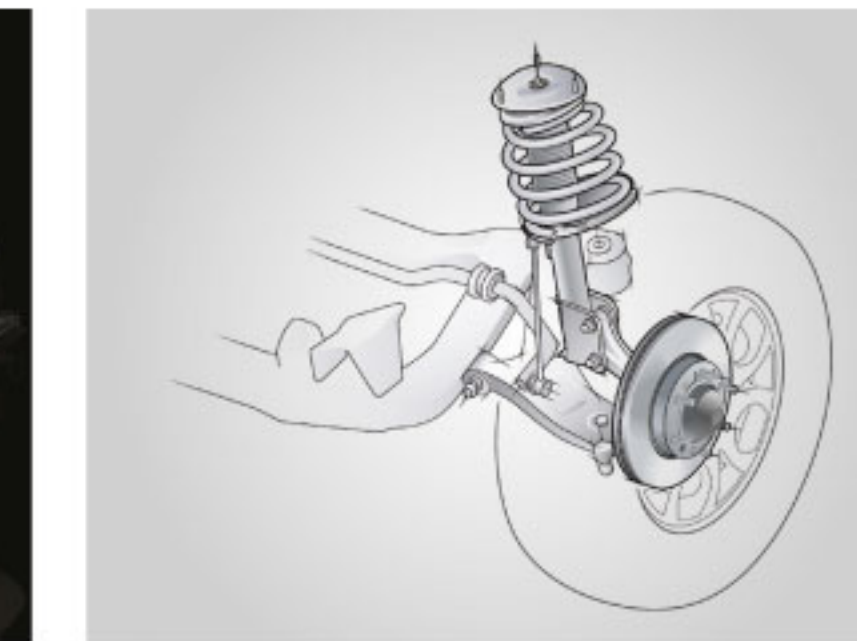
REVERSE SENSORS
With 4 reverse sensors cleverly built into the rear bumper, know the exact distance you have to reverse without the help of a co-driver.



EASY MANEUVERABILITY
Despite its length of more than 5 metres, the Grand Starex Royale's turning circle is no more than 5.6 metres.



A-2.5 CRDi ENGINE
The powerful and efficient Common Rail Direct Injection with Variable Geometry Turbocharge Diesel Engine provides great power with minimal emission and maximum fuel economy.



EXCELLENT SUSPENSION
With a remarkably flexible design with MacPherson Strut at the front and five-link coil springs at the rear: a sufficient combination to cope when the vehicle is fully laden, yet compliant enough to provide a comfortable ride.



5-SPEED AUTO TRANSMISSION WITH SPORTS MODE
Enjoy enhanced and fun driving experience with the smooth and hassle-free 5-speed automatic transmission with sports mode.



Enhanced Ownership Experience

**300,000 km
or 5 years warranty**

Terms and Conditions apply



Discover the world. Be thrilled that the Grand Starex Royale is assured up to 300,000km or 5 years, whichever is earlier, an exclusive warranty for all Hyundai users. That means you can drive up to 164 kilometres a day for 5 years and know that your Grand Starex Royale is taken care of. You can even choose to drive across the globe up to 7 times! Our bold testament is a testimony of Hyundai's faith in our vehicles.

Help is at hand with the 24/7 Roadside Assist*. Designed to provide protection to all Hyundai owners in case of accidents, vehicle breakdown, parts malfunction or even a flat tyre. Roadside Assist will provide you with the assistance needed, in terms of on-the-site repair or FREE towing services. Here we present you, the ultimate freedom to roam with a peace of mind like never before. What's more, it's FREE with your first year of ownership.


HYUNDAI | NEW THINKING.
 NEW POSSIBILITIES.
1300-13-2000
 24/7 Roadside Assist

* Refer to the Hyundai Safe Drive 24/7 Roadside Assist Programme leaflet for more details regarding this programme.

Pictures are for illustration purposes only. Actual unit may differ.

TO-1132/P

LET'S MOVE IN...

The Grand Starex Royale feels like home the minute you step in. Space, comfort and convenience welcomes you like no other MPV.

 **11 SEAT BELTS**

Pictures are for illustration purposes only. Actual unit may differ.

...AND MORE

Just to make sure you enjoy the journey 100%, all the finer details of convenience and practicality are carefully incorporated into the Grand Starex Royale.



AUTOMATIC HEADLAMPS

The headlamps on the Grand Starex Royale automatically switches on when driving in the dark, conveniently assisting the driver.



CRYSTAL TAIL REAR LAMPS

Sleek and sharp, the rear lamps give the Grand Starex Royale a smooth and sporty touch and a very distinct personality.



HIDDEN 3 WAY WASHER NOZZLES

Kept hidden from the eyes, the washer nozzles spray 3 ways to provide further reach and a thorough clean.



DOOR LIGHTS

Alight whenever the car door opens, it provides decent illumination when entering and exiting the car.



SUNGLASSES COMPARTMENT

Hassle-free and conveniently reachable by the driver.



REAR AIR CONDITIONING CONTROLS

Rear seat passengers can choose to control their own air-conditioning levels.



CUP HOLDERS

Placed right below the gear shifter to cater to both driver and front seat passenger.



DOOR POCKETS

Innovatively designed door pockets to allow easy storage of bottles and magazines.



BACK SEAT POCKETS

Providing passengers a storage option, leaving the seats clear and mess-free.



Pictures are for illustration purposes only. Actual unit may differ.

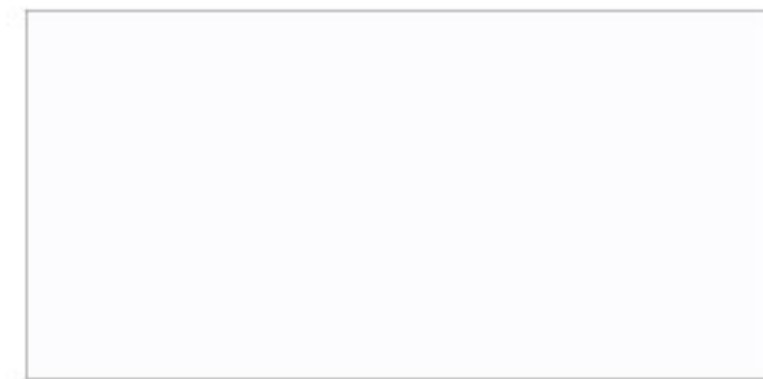
THE MARQUE OF LUXURY

With its unique blend of luxurious comfort, greater convenience, enhanced practicality and thoughtful design. The Grand Starex Royale redefines your choice of a true winner.



Pictures are for illustration purposes only. Actual unit may differ.

EXTERIOR COLOURS



Crystal White **WHC**



Sleek Silver **Y5**



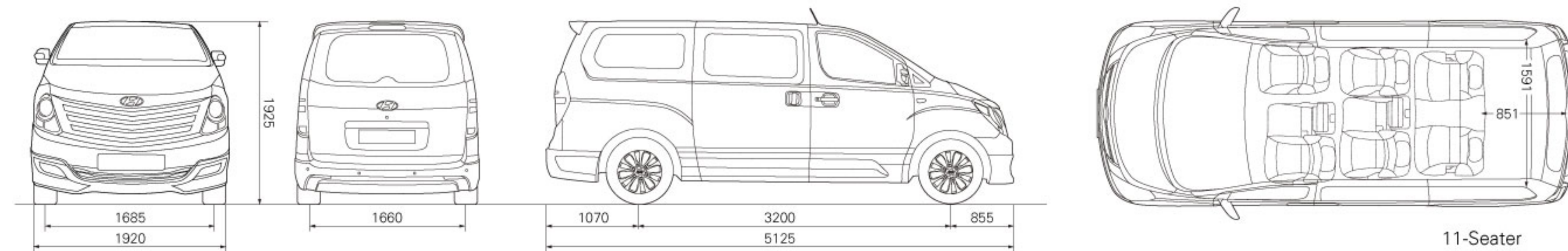
Stone Black **CJ**



Carbon Grey **GX**

DIMENSIONS

unit : mm



SPECIFICATIONS

Engine	
Type	A-2.5 CRDi
Displacement	2497cc
Bore x Stroke (mm)	91 x 96
Compression Ratio	17.6
Max. Power	169.95 ps (125 kW) @ 3800rpm
Max. Torque	39.97 kg.m (392 Nm) @ 2000-2500rpm
Lubricant Capacity including Oil Filter	6.6 Litre
Drive Train	
Transmission	Automatic
1st	3.730
2nd	2.308
3rd	1.519
4th	1.000
5th	0.840
Reverse	2.740
Final Gear Ratio	2.929
Lubricant Capacity	10 Litres
Suspension	
Type	Wagon
Front	MacPherson Strut
Rear	Rigid Axle 5-link

Steering	
Type	Hydraulic power assisted, rack & pinion type
Overall Steering Gear Ratio	15.61
Steering Wheel Turn (Lock to Lock)	3.57
Minimum Turning Radius (m)	5.6
Brakes	
General	Hydraulic, power assisted braking system with pressure proportioning valve
Front Brake Type	16-inch ventilated disc, 2 port-caliper brake with pad wear warning device. DISC : Ø300 x 30t
Rear Brake Type	16-inch ventilated disc with Ø210 drum in-hat parking brake system, 1 port-caliper brake with pad wear warning device. DISC : Ø324 x 18t
Booster Size / Type	9" + 10" / Tandem
Booster Cylinder Diameter	26.99

- Some of the equipment illustrated or described in this catalogue may not be supplied as standard equipment and may be available at extra cost.
- Hyundai-Sime Darby Motors reserves the right to change specifications and equipment without prior notice.
- The color plates shown may vary slightly from the actual colors due to the limitations of the printing process.
- Please consult your dealer for full information and availability on colors and trim.
- The Grand Starex Royale is entitled for Hyundai's 300,000km or 5 years warranty, whichever ever comes first.
- Specifications are subject to change and may differ from those shown in the brochure.